

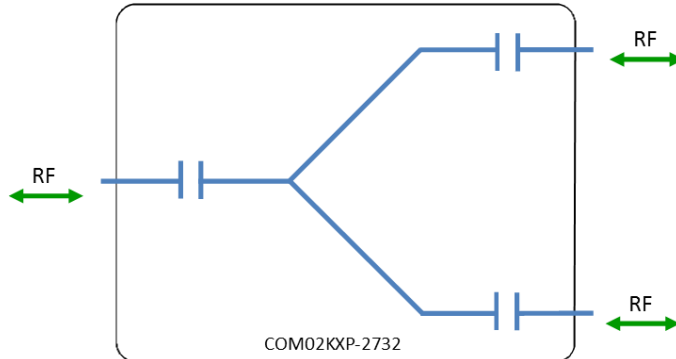


Model Number:  
**COM02KXP-2732**

RF Components

## 2-Way Passive Wide Band Splitter/Combiner

0.5-18 GHz



Available with RF connector options:

- 50  $\Omega$  SMA
- 50  $\Omega$  N-Type



**0.5-18 GHz**  
Operating frequency range.



**Compact**  
Housed in rugged compact enclosure

RF Parameters		
COM02KXP-2732-XXXX	S5S5	N5N5
Frequency Range	0.5 - 18 GHz	
RF Connectors	50 $\Omega$ SMA	50 $\Omega$ N-Type
Insertion Loss (dB)	2.0	1.8
Input Return Loss (dB)	Max	17
	Typ.	14
Output Return Loss (dB)	Min	17
	Typ.	14
Isolation (dB)	Min	16
Amplitude Balance (dB)	Min.	$\leq \pm 0.5$
Phase Balance ( $\Phi$ )		$\leq \pm 5^\circ$

The given Insertion Loss specified is the loss above the theoretical limit for a lossless divider  
 10MHz Insertion Loss is up to 3dB above the theoretical loss\*  
 10MHz Rejection is 20dB\*

### Broadcast



### Marine Oil & Gas



### SNG & VSAT



### Satellite Teleport





RF Components

Model Number:  
**COM02KXP-2732**

2-Way Passive WideBand Splitter/Combiner

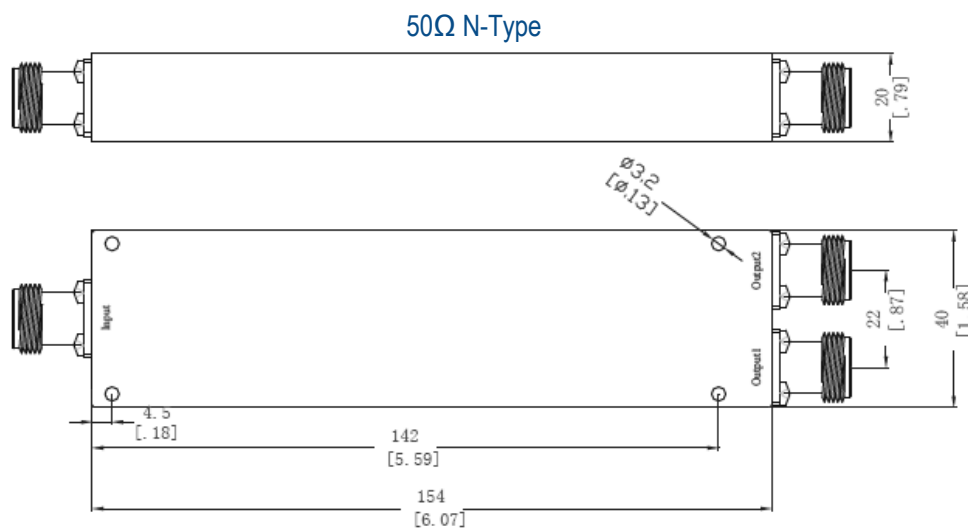
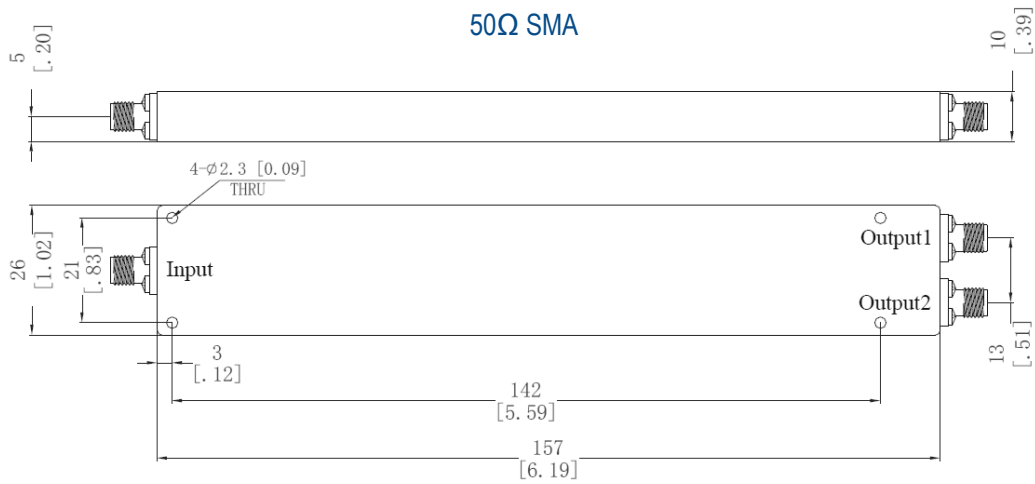
**Technical specifications and operating parameters**

Environmental		
Operating Temperature		-45°C to +85°C
Storage Temperature		-45°C to +85°C
Location		Indoor use Only
Humidity	Max	85% non-condensing
Altitude	Max	10,000 feet

Max Operating Parameters	
Power Rating	30W as splitter 1W as combiner
DC Voltage	N/A
DC Current	N/A
DC Consumption	N/A

**!** Operation beyond these limits may cause instantaneous and permanent damage.

**Physical Dimensions ( ± 0.3mm)**



Note: The specification is subject to regular reviews and will be updated from time to time as part of our continuing product development and improved specification accuracy.

ETL SYSTEMS LIMITED  
Coldwell Radio Station  
Madley  
Hereford  
England HR2 9NE

TELEPHONE  
+44 (0)1981 259020  
  
EMAIL  
info@etlsystems.com

FACSIMILE  
+44 (0)1981 259021  
  
WEB  
www.etlsystems.com

